

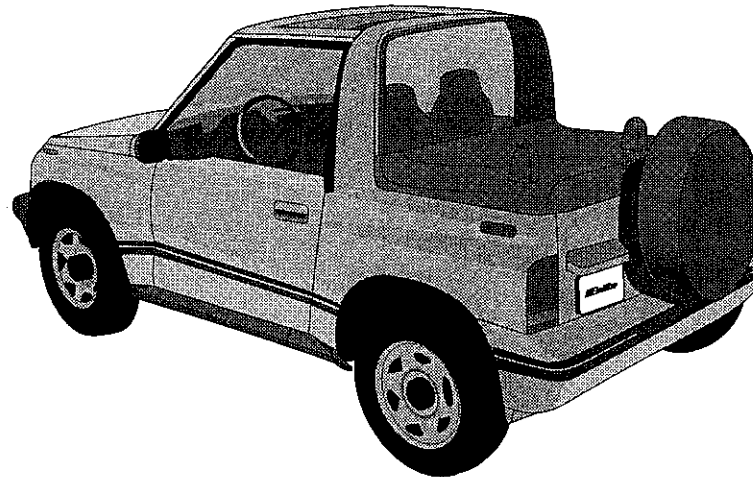


Bestop

Installation Instructions

For: *GEO Tracker & Suzuki Sidekick (1986-1994)*

Part Number 90009



Parts List

Tonneau	(1)
Seatbelt Pillar Caps	(2)

Installation Tips

Before you begin installing this tonneau assembly, read all instructions thoroughly. Below are a few tips to make this installation easier.

For a smooth fit:

For ease in installation, the tonneau should be installed at temperatures above 72° F. Below this temperature, the tonneau may contract an inch or more, making it difficult to fit to the vehicle.

It is normal for a tonneau to contract and wrinkle when stored in the shipping carton. Within a few days after the installation, the tonneau will relax and the wrinkles will disappear.

Warning:

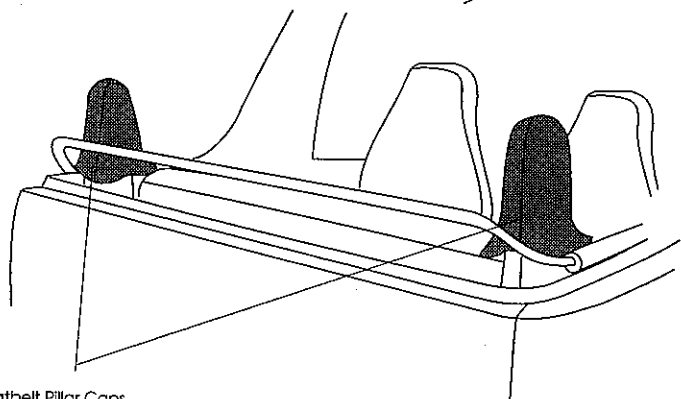
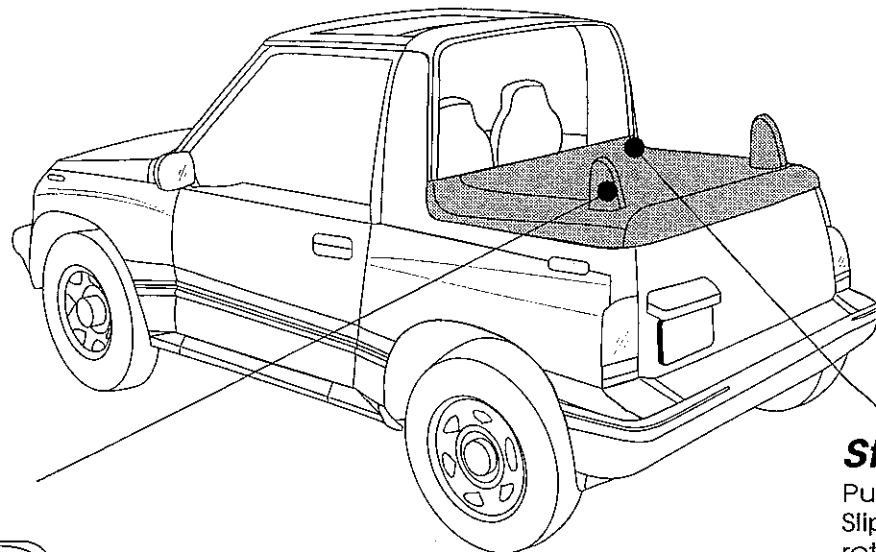
This product is designed to enhance the appearance of the vehicle and to shield the occupants from ordinary weather conditions. Do not rely in any way on the components of this product to contain occupants within the vehicle, or to protect against injury or death in the event of an accident. This product will not protect the occupants from falling objects. Never operate vehicle in excess of manufacturer's specifications.

Wear seat belts at all times.

Read and follow, precisely, all installation instructions provided when installing this product. Failure to do so may result in a poor fit and could place occupants of the vehicle in a potentially dangerous situation.

Step One

Slip the two Seatbelt Pillar Caps over the seatbelt pillars.



Seatbelt Pillar Caps

Complete Steps 2-4 on the passenger side of the vehicle before installing the cover on the driver's side.

Step Two

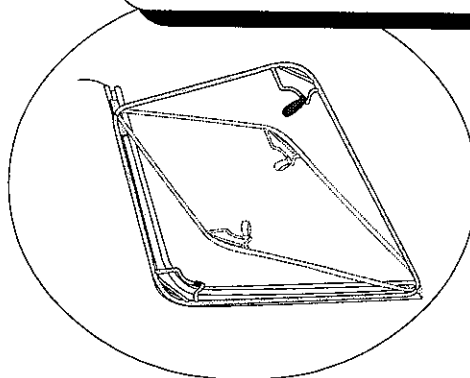
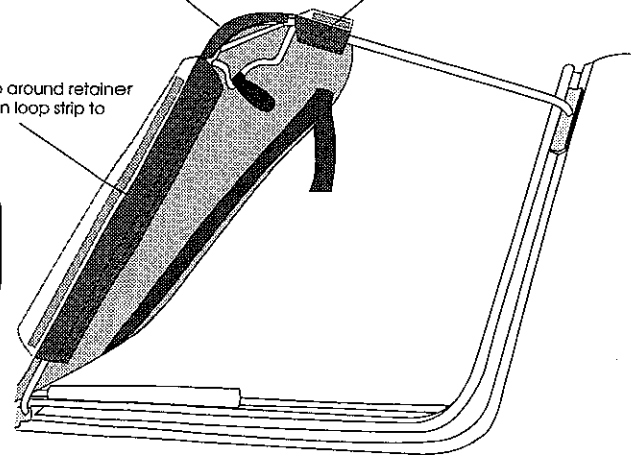
Pull the side retainer away from vehicle. Slip the corner of the Side Panel over the retainer. Wrap the flaps on the Side Panel around the retainer and fasten the loop strips to the hook strips.

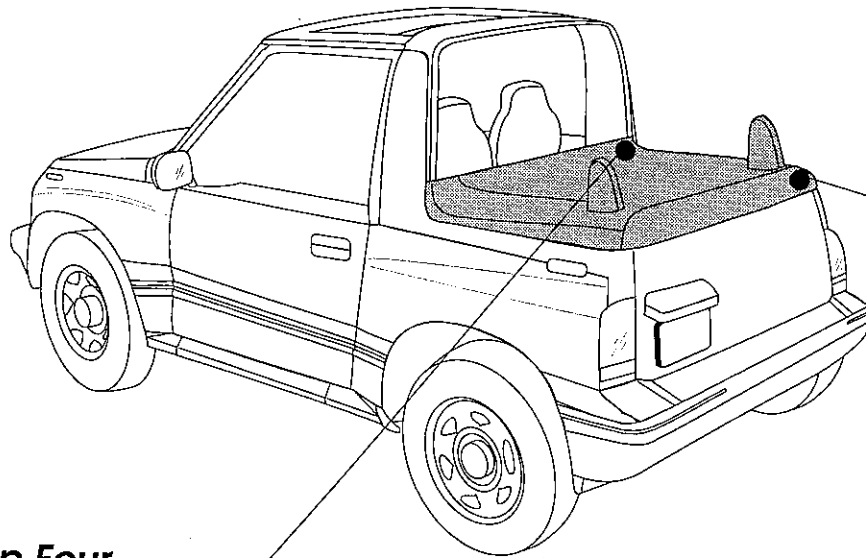
Slip retainer into corner of Side Panel

Wrap flap around retainer and fasten loop strip to hook strip

Wrap flap around retainer and fasten loop strip to hook strip

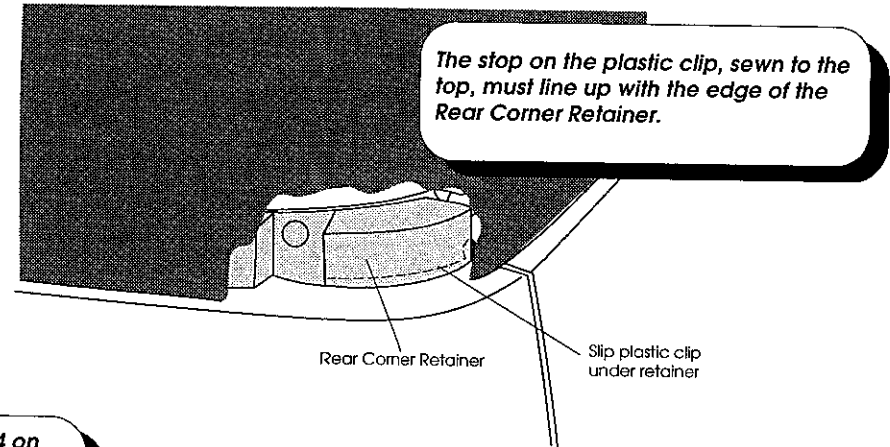
Note: To open Side Panel Retainer, pull out and up on the retainer to release it from the clip mounted to the body.





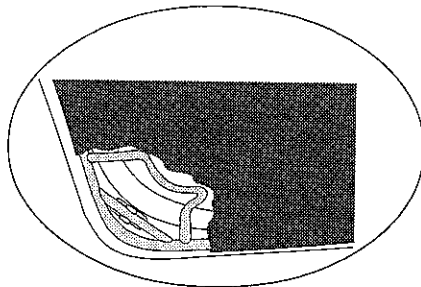
Step Three

Slip the plastic clip in rear corner of Tonneau into the plastic corner retainer on vehicle.



Step Four

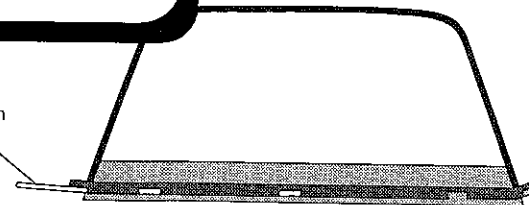
Close the side retainer by pushing it into the clip mounted on the body.



Now complete Steps 2-4 on the driver's side of the vehicle.

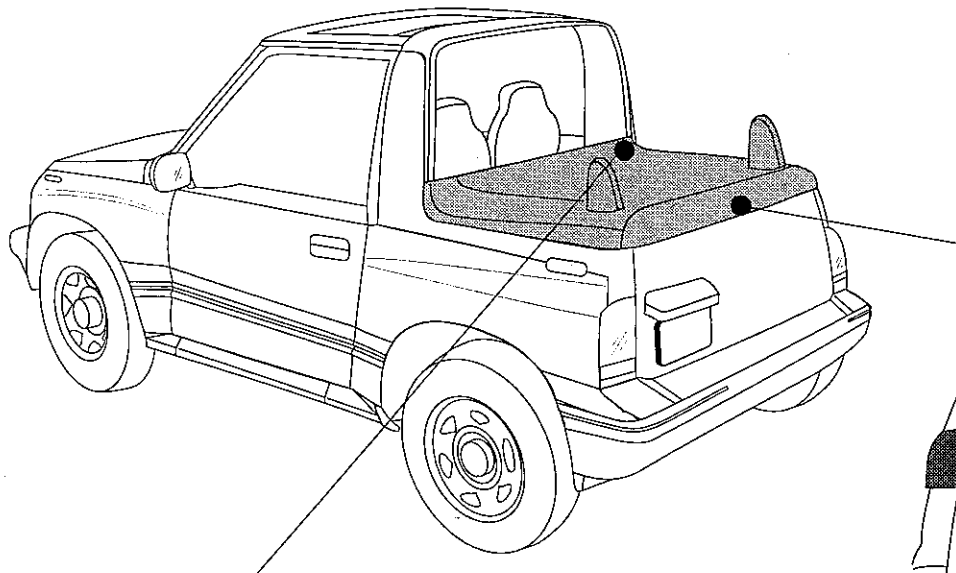
Remove the retainer rod from the original top.

Remove rod from original top



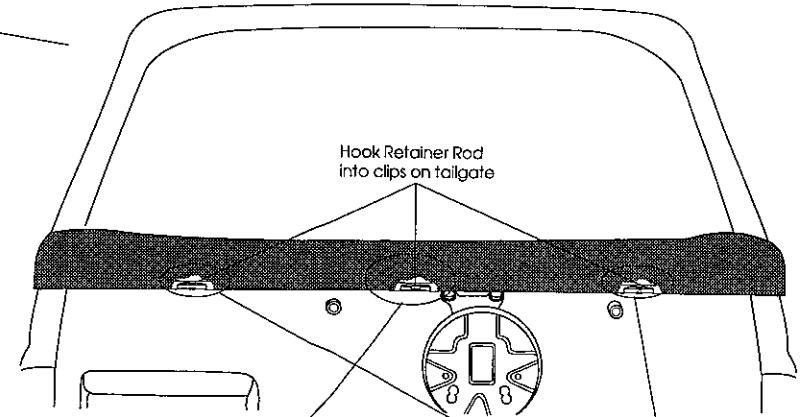
BESTOP

90009 3



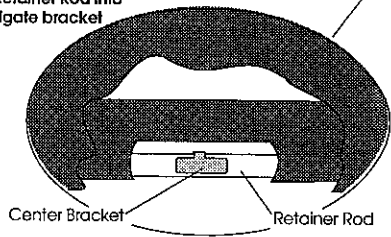
Step Five

Slip the retainers rod into the rear of the Tonneau, hook it into the center bracket on the tailgate and then into the bracket on each side of the tailgate.



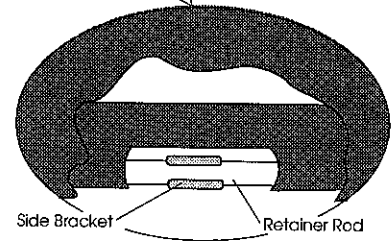
Hook Retainer Rod into clips on tailgate

Detail of Retainer Rod into center tailgate bracket



Center Bracket Retainer Rod

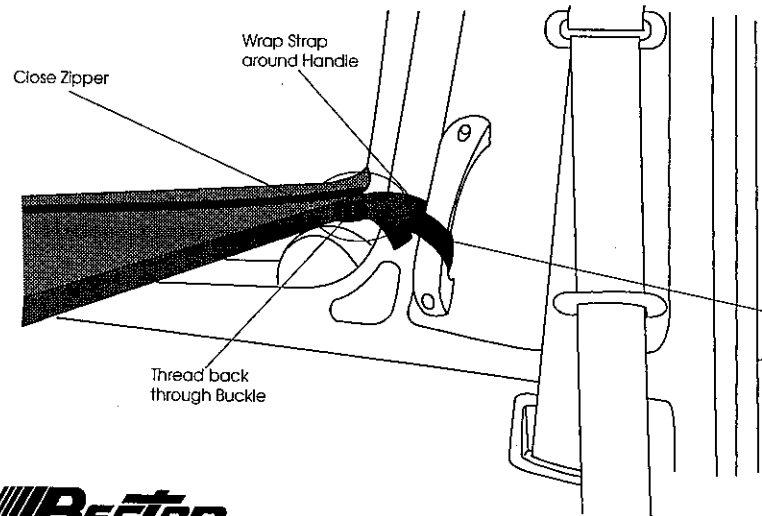
Detail of Retainer Rod into side tailgate brackets



Side Bracket Retainer Rod

Step Six

Close the zipper on the Tonneau. Wrap the Buckle Straps, sewn to the front of the Tonneau, around the handles inside the sportbar on each side of the vehicle. Pull the straps tight and thread them back through the buckles.



Close Zipper

Wrap Strap around Handle

Thread back through Buckle

Threading Strap Through Buckle

Buckle Strap

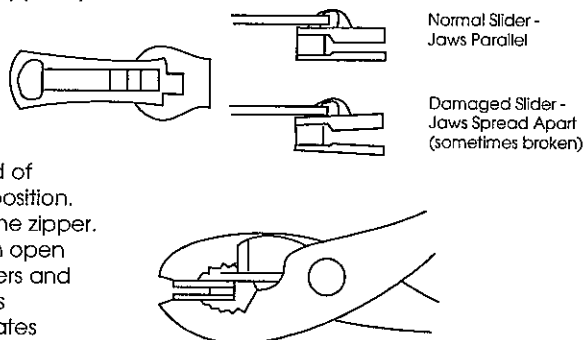
Note: The Retainer Rod may be pulled out and the tailgate opened without removing the Tonneau.

Care and Maintenance of your Bestop Tonneau

Your tonneau is made of the finest materials available. To keep it looking new and for the maximum possible wear, it will need periodic cleaning and maintenance.

Washing: The tonneau fabric should be washed often using soap, warm water and a soft bristle brush. Rinse with clear water to remove all traces of soap.

Zippers: Keeping the zipper cleaned and lubricated with a silicone lubricant will help prevent damage and keep the zippers in a smooth working condition. If a zipper opens behind the slider, the slider may have been spread apart. This problem can usually be repaired by using an ordinary pair of pliers to bring the sides back into parallel. Return slider to the end of the zipper in the normal Open position. Squeeze lightly at first and test the zipper. If the zipper continues to remain open squeeze more firmly with the pliers and try the zipper again. Repeat this procedure until the zipper operates correctly.



Water: Seeping through at the seams may be stopped by applying 3-M Scotchgard® on the inside of the seams. Rips in the fabric may be repaired with Bondex® iron on patches. Iron the patches to the inside of the tonneau, carefully following the Bondex® instructions.

Snaps: Keep snaps cleaned and lubricated with silicone to help prevent snaps from sticking to the studs. If a snap does become stuck to a stud, use a screwdriver and GENTLY pry apart to prevent permanent damage to the snap or the tonneau fabric.

LIMITED WARRANTY

We warrant our product to be free from defects in material and workmanship, for the terms specified below, provided there has been normal use and proper maintenance. This warranty applies to the original purchaser only. All remedies under this warranty are limited to the repair or replacement of any item or items found by the factory to be defective within the time period specified.

If you have a warranty claim, first you must call our factory at the number below for instructions. You must retain proof of purchase and submit a copy with any items returned for warranty work. Upon completion of warranty work, if any, we will return the repaired or replaced item or items to you freight prepaid. Damage to our products caused by accidents, fire, vandalism, negligence, misinstallation, misuse, Acts of God, or by defective parts not manufactured by us, is not covered under this warranty.

THE WARRANTY TIME PERIOD IS AS FOLLOWS: ALL "SOFT GOODS" MANUFACTURED BY OUR COMPANY (USING PRIMARILY VINYL, PLASTICS, AND/OR FOAM): ONE YEAR FROM DATE OF PURCHASE.

ANY IMPLIED WARRANTIES OF MERCHANTABILITY AND/OR FITNESS FOR A PARTICULAR PURPOSE CREATED HEREBY ARE LIMITED IN DURATION TO THE SAME DURATION AND SCOPE AS THE EXPRESS WRITTEN WARRANTY. OUR COMPANY SHALL NOT BE LIABLE FOR ANY INCIDENTAL OR CONSEQUENTIAL DAMAGE.

Some states do not allow limitations on how long an implied warranty lasts, or the exclusion or limitation of incidental or consequential damages, so the above limitations or exclusions may not apply to you.

This warranty gives you specific legal rights, and you may also have other rights which vary from state to state.

For further information or request for warranty work, please contact:

Bestop Inc.
Customer Service
(800)346-3910
(303)465-1755



90009 5